

RECOMMENDED PCB LAYOUT
GENERAL TOLORANCE ± 0.05

NOTES:

1. MATERIAL:

1.1 HOUSING: THERMOPLASTIC, HIGH TEMP.,
UL94V-0; COLOR IS Natural.

1.2 CONTACT: COPPER ALLOY

2. FINISH:

2.1 CONTACT:

GOLD FLASH OVER ALL

50u" MIN. NICKEL UNDERPLATING OVERALL.

3. IR REFLOW CAPABLE TO 260°C
PER ACES SPEC.

4. SPEC. PLS. REFER TO PS-50181-XXXX

5. PACKAGE PLS. REFER TO 51007-XXXXX-00-TRP OR 51007-XXXXX-05-TRP

6. PART NUMBER

51007-XXX X X-XXX

No Of Contact

Packing

0:Tape & Reel

1:Tube

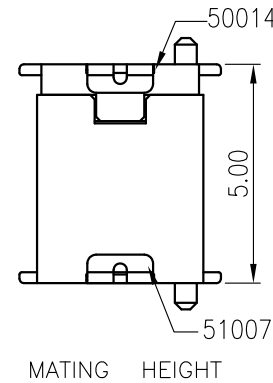
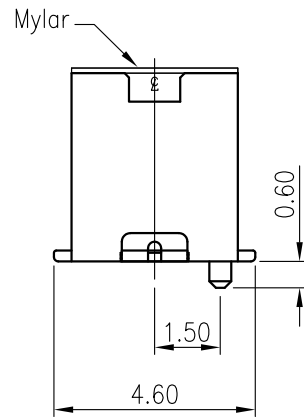
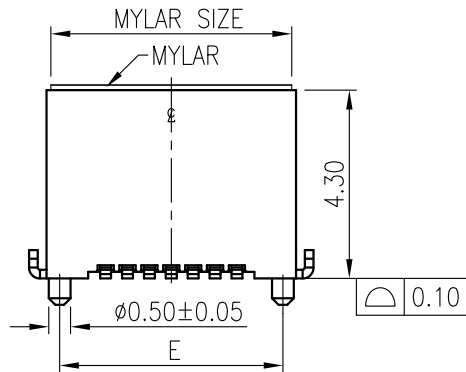
4:Tape & Reel with Mylar

5:Tube with Mylar

XXX	COLOR	POLARIZATION
001	NATURAL	WITH BOSS & WITH FITTING NAIL
002	NATURAL	WITH OUT BOSS & WITH FITTING NAIL
003	NATURAL	WITH BOSS & WITH OUT FITTING NAIL
004	NATURAL	WITH OUT BOSS & WITH OUT FITTING NAIL

Plating

1: Gold Flash Over All



CKT	DIM A	DIM B	DIM C	DIM D	DIM E	DIM F	DIM G	MYLAR SIZE
010	4.7	2.0	2.8	3.2	4.1	2.8	5.5	3.0
014	5.7	3.0	3.8	4.2	5.1	3.8	6.5	3.0
020	7.2	4.5	5.3	5.7	6.6	5.3	8.0	5.5
030	9.7	7.0	7.8	8.2	9.1	7.8	10.5	6.0
032	10.2	7.5	8.3	8.7	9.6	8.3	11.0	6.0
036	11.2	8.5	9.3	9.7	10.6	9.3	12.0	6.0
040	12.2	9.5	10.3	10.7	11.6	10.3	13.0	6.0
050	14.7	12.0	12.8	13.2	14.1	12.8	15.5	6.0
060	17.2	14.5	15.3	15.7	16.6	15.3	18.0	6.0
080	22.2	19.5	20.3	20.7	21.6	20.3	23.0	6.0

一般公差 TOLERANCES X ± 0.5 .XX ± 0.15 X ± 0.25 .XXX ± 0.1 ANGLES $\pm 2^\circ$		宏致電子股份有限公司 Aces Electronic Co.,Ltd.	
檢驗尺寸標示 SYMBOLS \odot \ominus INDICATE CLASSIFICATION DIMENSION \odot MARK IS CRITICAL DIM. \ominus MARK IS MAJOR DIM.	品名 (TITLE) 0.5mm B-T-B CONNECTOR PLUG D/R S/T SMT TYPE	製圖 (DR) 11/04/09 yangwu 審核 (CHKD) CARL	5
	圖號 (DWG.NO) 51007-XXXXX-XXX	核准 (APPD) JASON	
表面處理 (FINISH)	比例 (SCALE) 5:1	單位 (UNITS) mm	張數 (SHEET) 1 OF 1
			SIZE A4
			REV 0